

- X-ray inspection for bulk materials in the food or non-food industry
- Detects high density materials like metal, ceramic, stone or plastic
- Easy operating with auto-calibration and clearly arranged functions on 17" touchscreen
- XIA software for instant analysis and detection with high accuracy and reliability
- Integrated rejection unit: Single or multi flap as well as air gun option for particularly material-saving rejection of contaminants



- Real time detection with coloured contamination analysis
- Masking functions
- Auto-storing of inspection data with time and date stamp
- User-friendly menus for easy operating
- USB and Ethernet
- Quick release conveyor belt for easy cleaning and maintenance
- Easy maintenance and cleaning
- Built-in remote maintenance
- 24 hours non-stop operation
- reliable German safety standard – available incl. TÜV-certificate



Large display and clearly arranged functions for easy operating.

Scope of Delivery:

- Xray Scanner with image processing software XIA
- Complete protection against radiation and PILZ safety circuit
- Certified test cards with soda lime glass, ceramics, steel spheres in various diameters

Accessories & Extras:

- Radiation counter
- 2I CFR Part II compliance
- Reject bin
- Air guns for reject (minimize rejected product)



XRAY SHARK® reject system with rejection bin.

Function:

The bulk flow X-ray system is particularly suitable for food or non-food products in bulk, for example unpacked nuts, dried fruits or sweets.

The high-performance software “XIA“ allows instant analysis and detection with high accuracy and reliability, thus avoiding false rejects. The flawless design offers maximum safety and comfort for daily operations.

The hygienic design allows easy cleaning and maintenance of the XD BULK series. All components are quickly removable so that the device is quickly ready for operation again. Thus, the XD BULK is especially suitable for all industries that have to ensure effective hygienic standards.



Application:

Inspection bulk materials like

- nuts or almonds
- sweets
- dried fruit
- legumes like dried peas
- etc.

Industries:

- Food and non-food

Specifications:

Model (till 04-2020)	XD25-L1-BULK (XBD10 BF)	XD35-L1-BULK (XBD20+ BF)	XD45-H1-BULK (XBD40+ BF)
X-ray source	Single beam x-ray generator with max. 60kV (50W)		max. 80kV (480W)
	variable in voltage + current		
Radiation leakage	1 µSv/h or less	1 µSv/h or less	3 µSv/h or less
	at 10 cm outside cabinet surfaces		
Safety	Special product tunnel, magnetic safety switches at cabinet doors and tunnel hatches, emergency stop push button, emergency stop in/out interfaces to safety circuits of production line, X-ray off key switch, PILZ safety circuit		
X-ray detector	Low noise 307 mm	Low noise 408 mm	Low noise 612 mm
	line scan CCD, diode pitch 0.8 mm, integrated x-ray beam stop (optional diode pitch 0.4 mm)		
Cooling	Highly efficient, silent DC filter fans		
Housing finish	Stainless steel grade AISI 304 / DIN EN 1.4301 (X5CrNi18-10)		
Enclosure rating	IP54 (according to IEC 60529), including touch panel and fans, optional IP66		
Conveyor type	Polyurethan (PU) belt, light blue, food grade		
Conveyor speed	Conveyor speed by product, 0,05 to 0,98 m/s		
Flow rate	4 – 25 m³/h	6 – 35 m³/h	8 - 45 m³/h
	for best sensitivity: 1-layer product thickness		
Max. product weight	7 kg		
Estimated production sensitivity sphere Ø mm*	Metal (except aluminium) Glass (soda lime) Ceramic (similar as many stonegrades)	1.0 – 1.5 mm 2.0 – 4.0 mm 2.0 – 5.0 mm	
Belt width	300 mm	400 mm	500 mm
Net. scanning width	246 mm	346 mm	446 mm
Product memory	255 different product set-ups		
Display	17" Color-TFT capacitive touchscreen		
Inspection features	Autocalibration, auto adaption to density distribution, density, hard contrast, soft contrast, masking technology, SuperContrast, SizeFilter, AutoEdge masking, auto save/load of images, multi-segment-inspection, generator energy by product, password protection		
In-/Outputs	Programmable outputs (contamination, ready, Emergency OFF) Programmable inputs (Emergency OFF, wake up, optional control signals)		
Data transfer	Ethernet for remote support via internet, USB for external keyboard/ mouse/ memory stick		
Max. weight	0.5 t	0.7 t	1.4 t
Power supply	1ph, 230 VAC +/- 10%, 50/60 Hz, full operation: max. 0.5 kW		max. 2.0 kW
Compressed air supply	Without reject unit 0 MPa (0 bar/0 psi) bar With reject unit 0,4 MPa (4 bar/58 psi)		
Available reject method	Reject flap, multi reject flaps or air guns		
Environmental conditions	0°C to +30°C / 32°F to 86°F, with relative humidity max 90%, non-condensing Option: additional external cooling devices to extend the temperature range		
Conformity	CE, compliant to German x-ray regulations, specific adaptation for other countries		

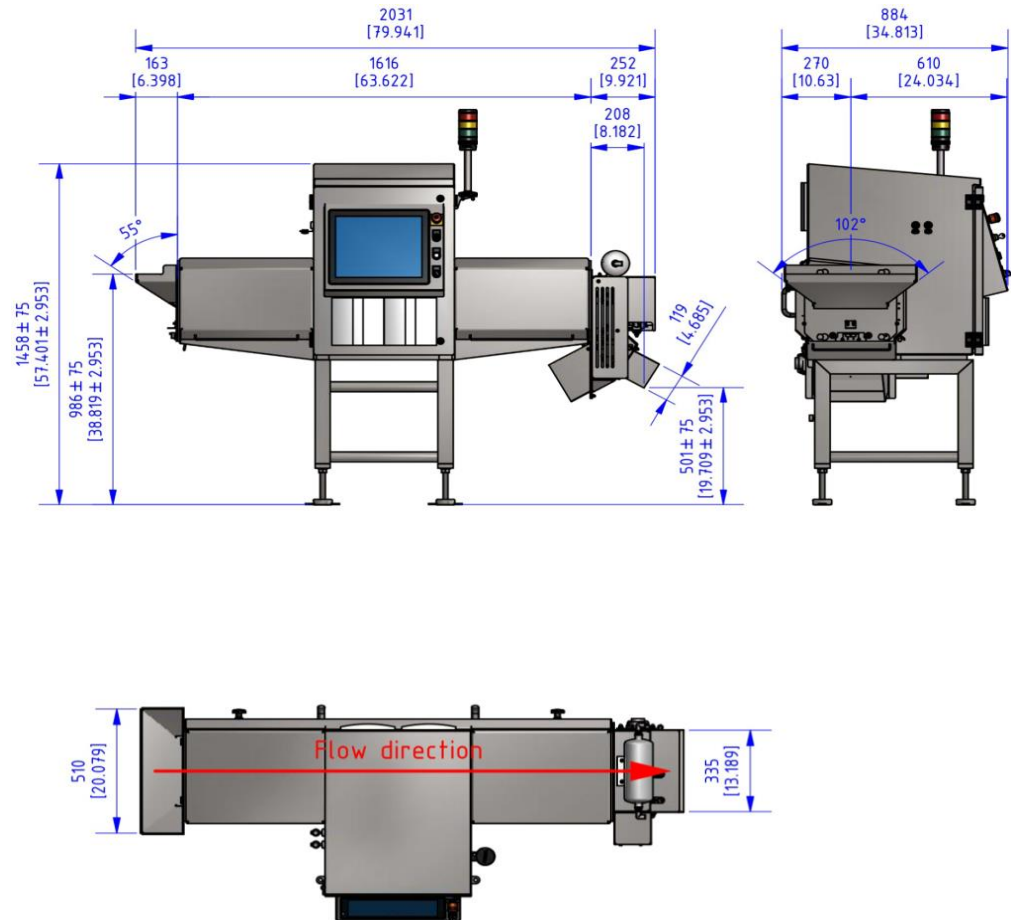
* Sensitivities depend on product, application and environment and are subject to deviation.

All information is based on standard devices. There possibly will be differences depending on the application. Changes excepted.



Dimensions

Exemplary the dimensions of an XRAY SHARK® XD25-L1-BULK.



CASSEL quality:

As a premier manufacturer, CASSEL is committed to the highest quality standards. For more than 25 years, our goal has been to ensure the uncompromising quality of your products. We supply customers world-wide in various industries, including food, plastics, pharmaceuticals, textiles, lumber and mining.

Contact us:

CASSEL Messtechnik GmbH
In der Dehne 10
37127 Dransfeld
phone: +49 (0)5502 911 50
fax: +49 (0)5502 911 532
info@cassel-inspection.com

